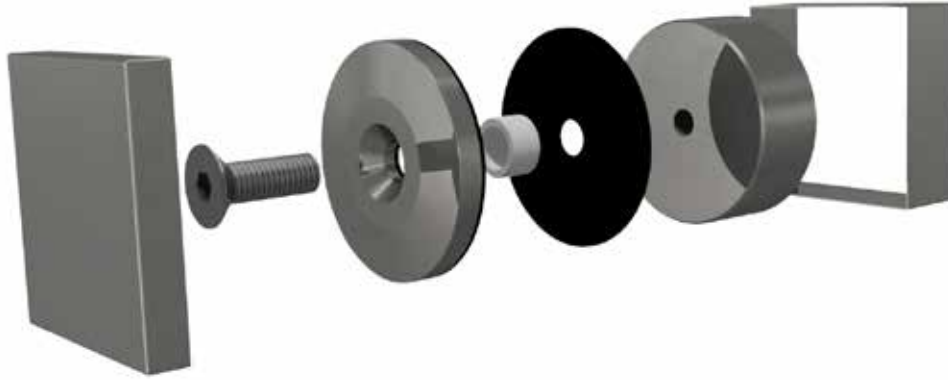




75MM SINGLEDISC MB75 BALUSTRADE SYSTEM

Installation / Fitting Instructions

SIDE FIX

(MB75) Heavy Weight Anchor

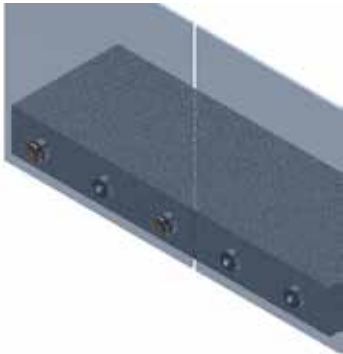
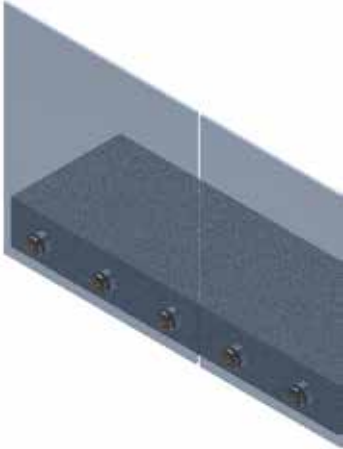


Product	Installation/Fitting Instructions
<p>Structure Fastening Installation Typical Layout of SingleDisc MB75 – Anchors.</p> 	<ul style="list-style-type: none"> • Verify the mounting structure can withstand the loads required for installation prior to fixing balustrade. • Using laser level or string line, cast level lines horizontally and vertically to find the centre points of the fastenings required for the building structure as detailed in the PS1. <ul style="list-style-type: none"> – Minimum edge distance from top of structure to centre line of fixing is 90mm for $H < 1150\text{mm}$ or 100mm for $1150\text{mm} < H < 1250\text{mm}$. – Fixing layout centres are calculated as: min 100mm, max 200mm in from glass edges; equal spacing's between corner fixings to match PS1 design tables.
<p>Backing Disc Installation Structural fastening into backing.</p> 	<ul style="list-style-type: none"> • Install fastenings as per the PS1 for structure type. • Fix MB75 backing disc to the fastening, (If using the square cover kit option insert this as required) <ul style="list-style-type: none"> – Ensure the backing discs are all on a level plane. If the building structure is not level: <ul style="list-style-type: none"> – Add fibre gaskets (3 gaskets max.) or additional custom disc to a maximum of 75mm.

IMPORTANT NOTE: The guide above is simplified, and should in no way be referenced in isolation. For full comprehensive substrate fixing details please refer through to the PS1.

75MM SINGLEDISC MB75 BALUSTRADE SYSTEM

Installation / Fitting Instructions

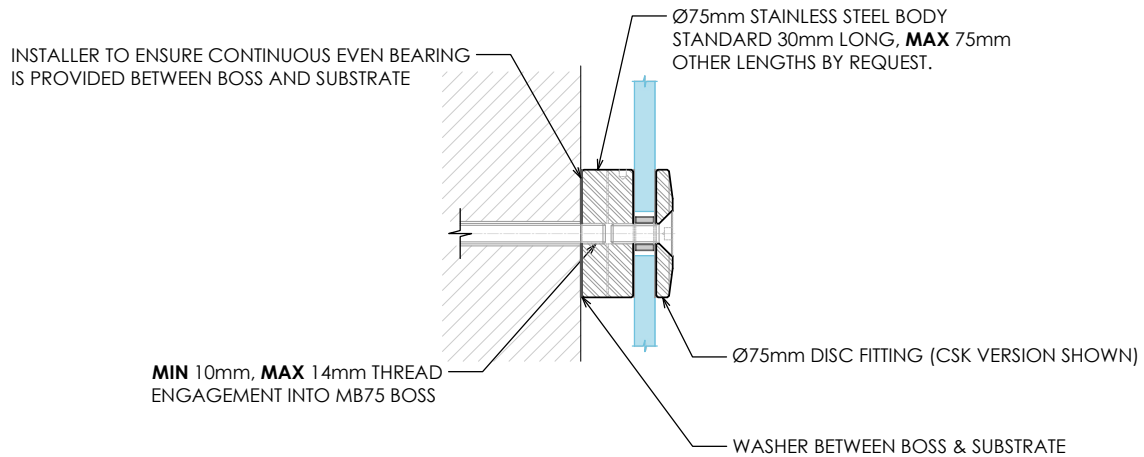
Product	Installation/Fitting Instructions
<p>Glass Installation</p> 	<ul style="list-style-type: none"> • NOTE: when ordering glass ensure the hole diameters are 26mm. • Check that the hole locations in the glass panels align with the backing disc locations. <ul style="list-style-type: none"> – SingleDisc MB75 anchor M12 bushes can be changed to M12 slotted bushes to allow for 2.0mm adjustment horizontally if required. • Install glass panels. <ul style="list-style-type: none"> – For SingleDisc MB75 Heavy Weight Anchor – use black fibre gasket to backing disc surface, suitable bush for tolerance (thickness to suit the glass t), black fibre gasket to outer disc and M12 fastening (length to suit the glass t). • Fix the SingleDisc MB75 front disc through the glass panel to the backing disc, tightening to 40Nm. <ul style="list-style-type: none"> – If using the square cover kit option insert this as required. – M12 fastening must not clash with building structure fastening inside the backing disc.
<p>Final Adjustment</p> 	<ol style="list-style-type: none"> 1. Check Glass panel gaps, levels and alignments of frit or similar pattern details. Align with setting blocks and/ or spacers to suit. 2. Check SingleDisc MB75 anchors have been torqued to 40Nm.
<p>Cleaning</p>	<p>Once everything is correctly in place and the job is complete, the glass and disc need to be cleaned. Use a non-abrasive glass cleaner on the glass and warm soapy water on the SingleDisc MB75. We also recommend a soft sponge or cloth, to avoid any risk of scratching. For full care and maintenance guidelines please refer to our comprehensive guide pages 778-779.</p>

IMPORTANT NOTE: The guide above is simplified, and should in no way be referenced in isolation. For full comprehensive substrate fixing details please refer through to the PS1.

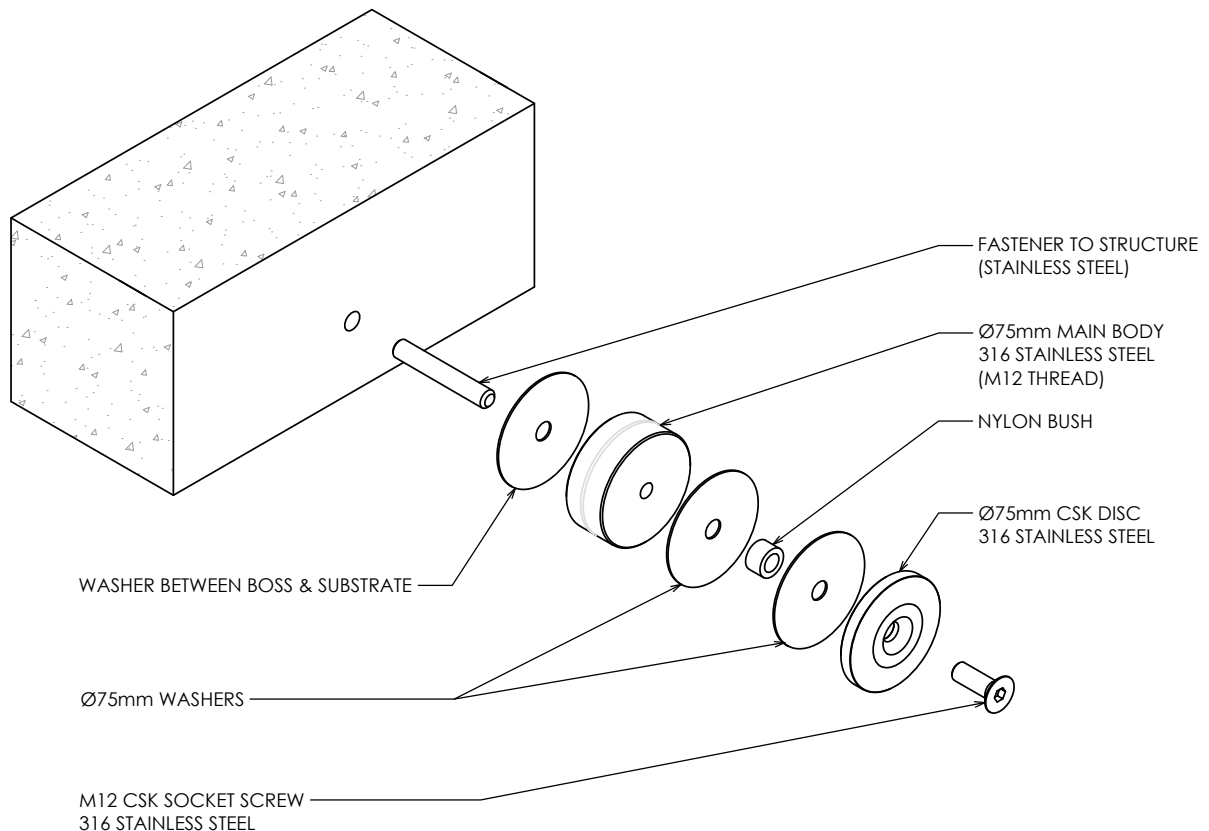
75MM SINGLEDISC MB75 BALUSTRADE SYSTEM

Section & Exploded Views

SINGLEDISC MB75 STANDARD FITTING SECTION VIEW



SINGLEDISC MB75 STANDARD FITTING EXPLODED VIEW

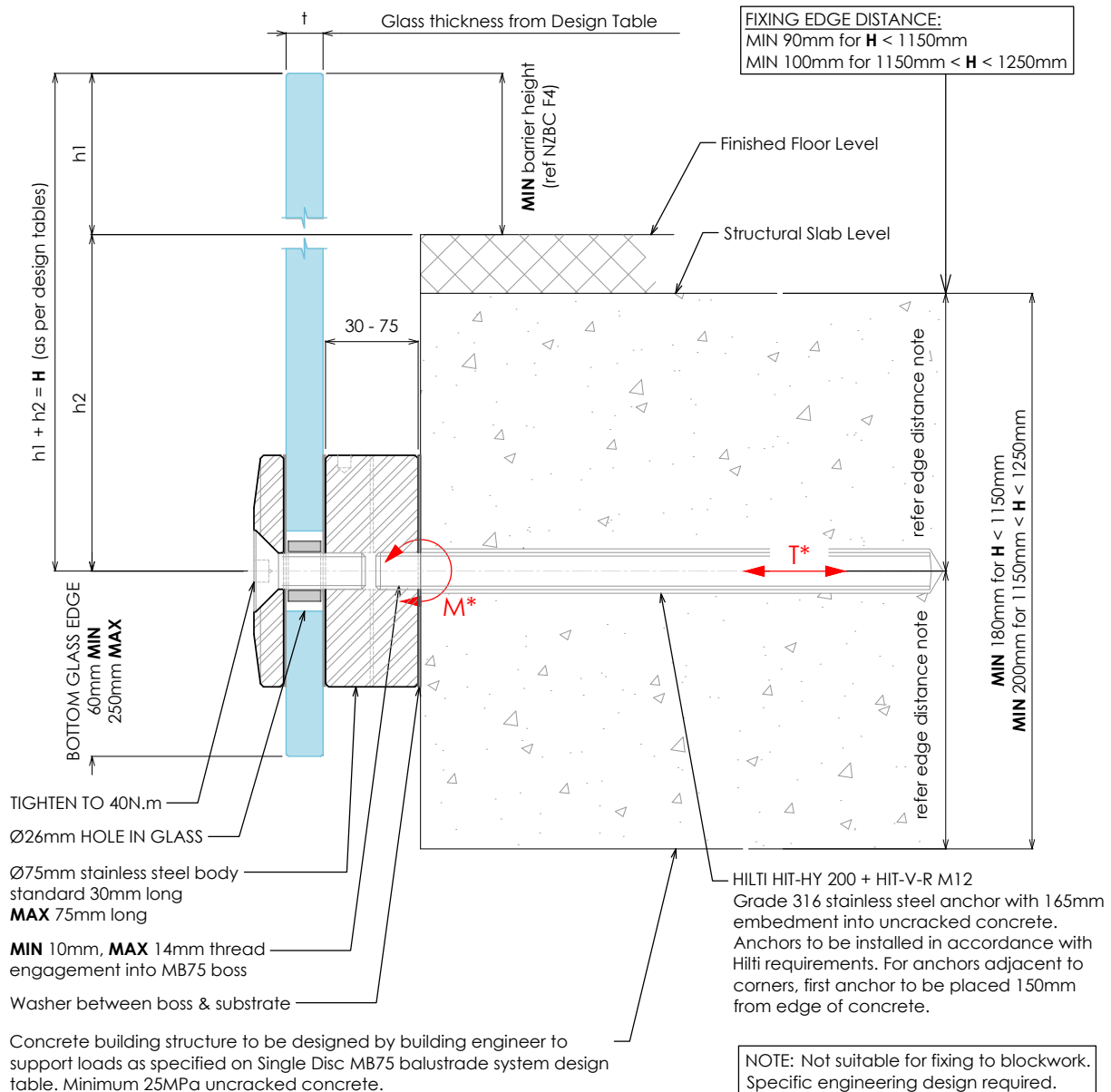


75MM SINGLEDISC MB75 BALUSTRADE SYSTEM

Concrete Fixing Detail

Drawing No.	Revision	Fixing Type	Occupancy
MB75 / C / M12	R4	MB75 with rod anchor	A, B, E, C3

NOT SUITABLE FOR OCCUPANCY C1/C2, D OR C5



Refer to Single Disc MB75 balustrade system design table for required glass thickness, fixing spacings and fixing loads according to AS/NZS 1170.1:2002 for the occupancies listed above. Refer to design tables and elevations for post failure requirements. Interlinking rail / clips not shown for clarity. 'H' refers to top of barrier.

NOTES:

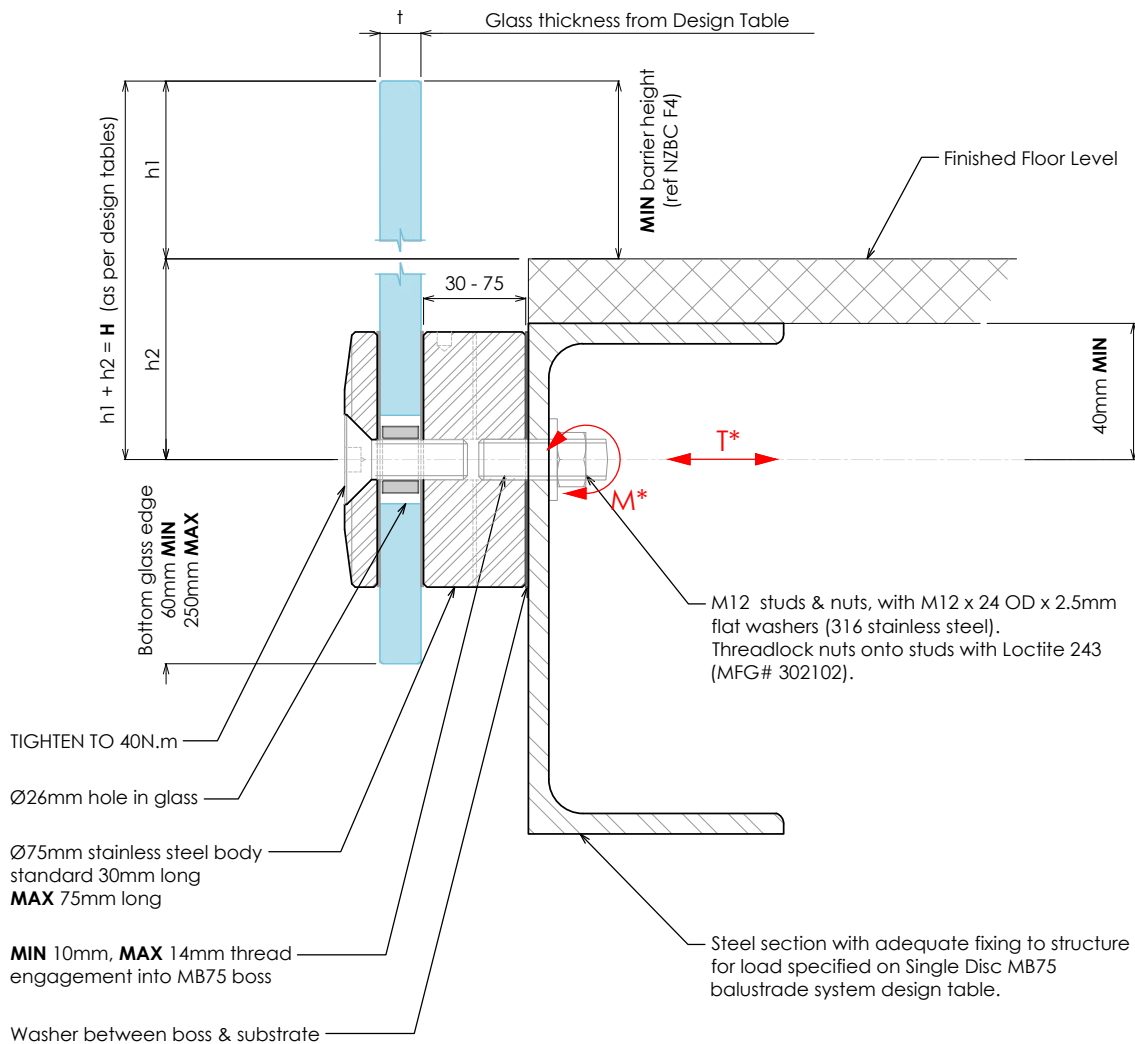
- Capacity of structure is to be of sufficient strength to support loads M^* and T^* specified on Single Disc MB75 balustrade system design table. Structure capacity to be verified by building engineer prior to fixing balustrade.
- Max loading to comply with AS/NZS 1170.1:2002 Minimum Imposed Actions for Barriers Occupancy, shown at top of drawing, for design in accordance with Single Disc MB75 balustrade system design table.
- Penetration through a membrane must be completed in accordance with written instructions of the membrane manufacturer.
- No substitution allowed - any variation from the details above and design tables will require specific design.

75MM SINGLEDISC MB75 BALUSTRADE SYSTEM

Steel Fixing Detail

Drawing No.	Revision	Fixing Type	Occupancy
MB75 / S / RN (OPEN)	R4	MB75 with rod & nut	A, B, E, C3

NOT SUITABLE FOR OCCUPANCY C1/C2, D OR C5



Refer to Single Disc MB75 balustrade system design table for required glass thickness, fixing spacings and fixing loads according to AS/NZS 1170.1:2002 for the occupancies listed above. Refer to design tables and elevations for post failure requirements. Interlinking rail / clips not shown for clarity. 'H' refers to top of barrier.

NOTES:

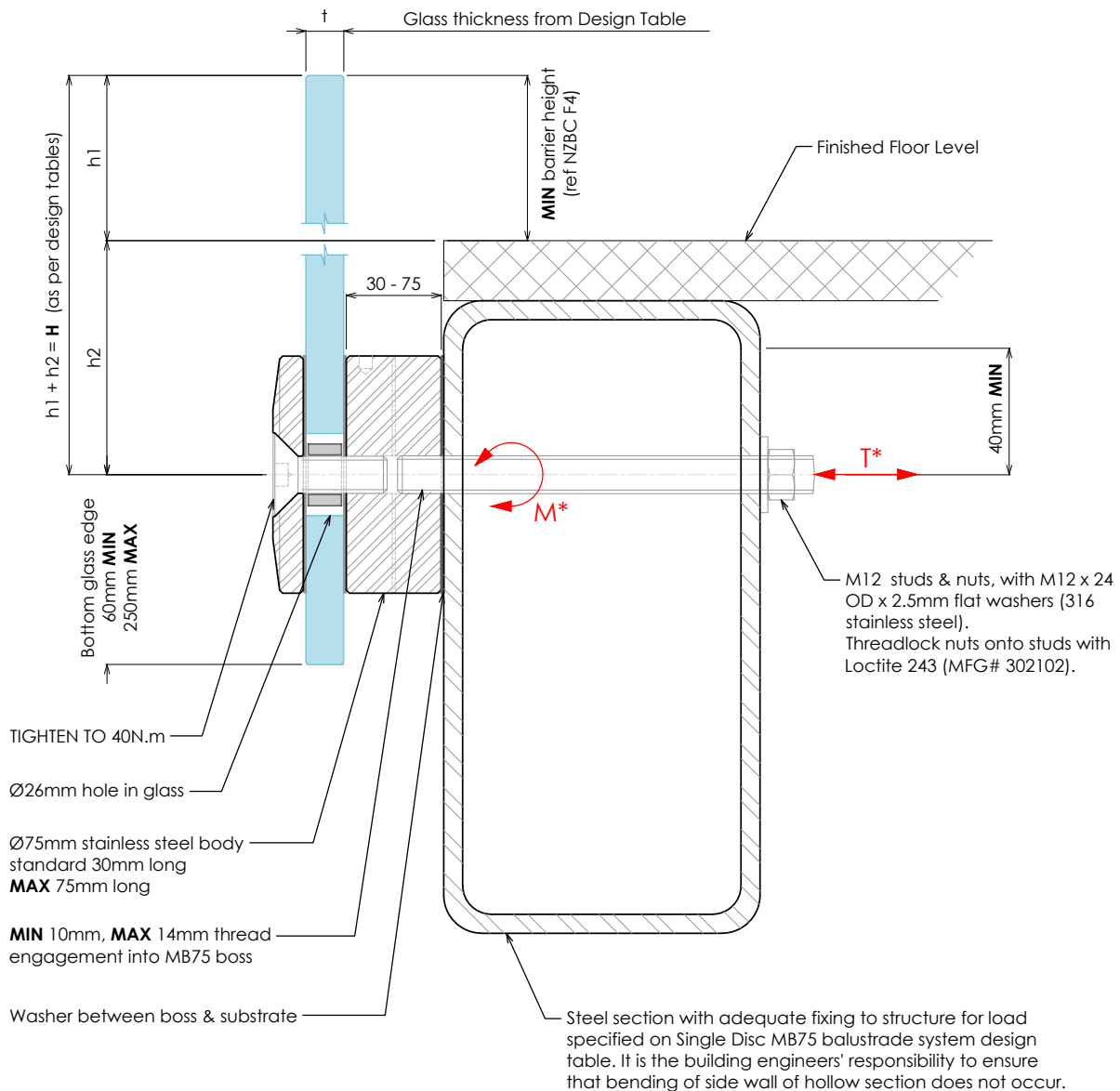
- Capacity of structure is to be of sufficient strength to support loads M^* and T^* specified on Single Disc MB75 balustrade system design table. Structure capacity to be verified by building engineer prior to fixing balustrade.
- Max loading to comply with AS/NZS 1170.1:2002 Minimum Imposed Actions for Barriers Occupancy, shown at top of drawing, for design in accordance with Single Disc MB75 balustrade system design table.
- Penetration through a membrane must be completed in accordance with written instructions of the membrane manufacturer.
- For fixing to steel substrates, the installer shall ensure the bolts are tightened to a "snug-tight" level as defined in NZS3404.
- No substitution allowed - any variation from the details above and design tables will require specific design.

75MM SINGLEDISC MB75 BALUSTRADE SYSTEM

Steel Fixing Detail

Drawing No.	Revision	Fixing Type	Occupancy
MB75 / S / RN (HOLLOW)	R4	MB75 with rod & nut	A, B, E, C3

NOT SUITABLE FOR OCCUPANCY C1/C2, D OR C5



Refer to Single Disc MB75 balustrade system design table for required glass thickness, fixing spacings and fixing loads according to AS/NZS 1170.1:2002 for the occupancies listed above. Refer to design tables and elevations for post failure requirements. Interlinking rail / clips not shown for clarity. 'H' refers to top of barrier.

NOTES:

- Capacity of structure is to be of sufficient strength to support loads M^* and T^* specified on Single Disc MB75 balustrade system design table. Structure capacity to be verified by building engineer prior to fixing balustrade.
- Max loading to comply with AS/NZS 1170.1:2002 Minimum Imposed Actions for Barriers Occupancy, shown at top of drawing, for design in accordance with Single Disc MB75 balustrade system design table.
- Penetration through a membrane must be completed in accordance with written instructions of the membrane manufacturer.
- For fixing to steel substrates, the installer shall ensure the bolts are tightened to a "snug-tight" level as defined in NZS3404.
- No substitution allowed - any variation from the details above and design tables will require specific design.